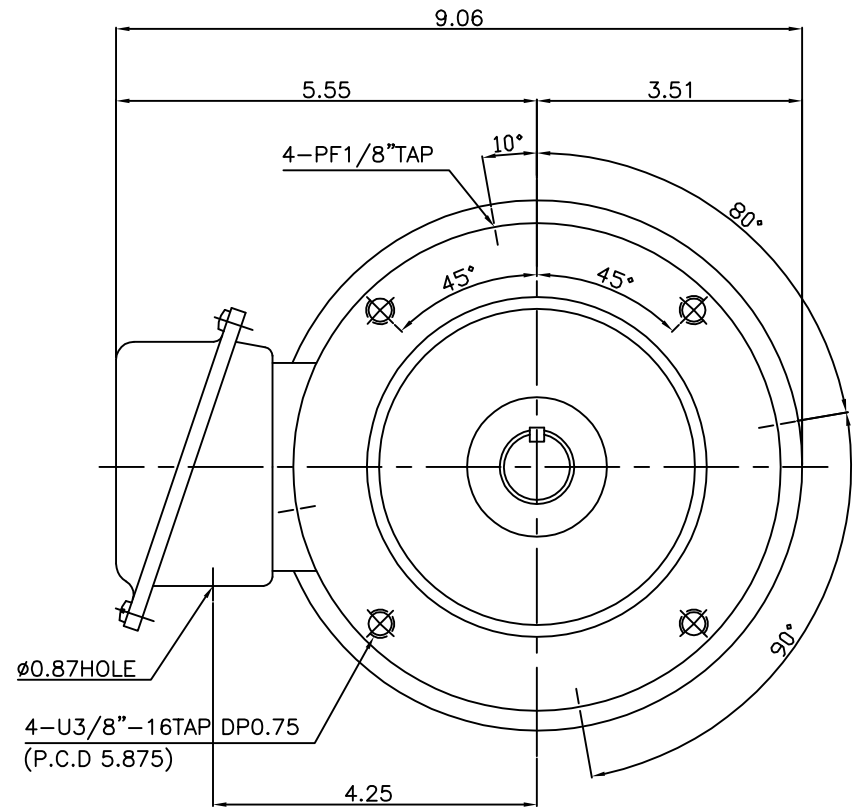


SECTION A-A



DB0022PCA  
 DB0024PCA  
 DHY154PCA  
 DIY154PCI

**STERLING** **OUTLINE**  
**ELECTRIC, INC.** 3-PHASE ROLLED  
 INDIANAPOLIS, IN STEEL MOTOR

DESIGNED  
 CHECKED  
 APPROVED

DIMENSIONS IN INCHES  
 3RD ANGLE PROJECTION  
 DWG. NO: DB0022~DIY154PCI